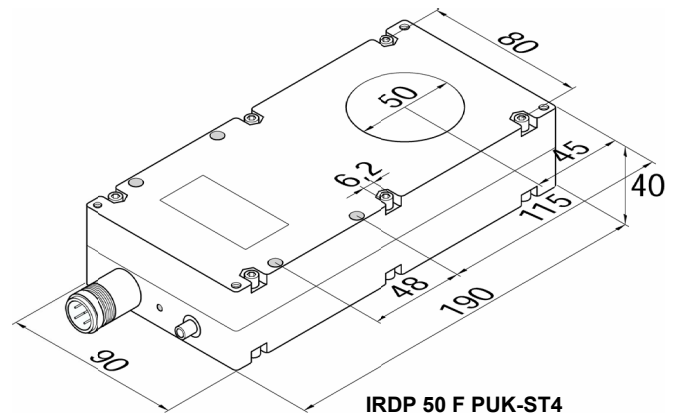
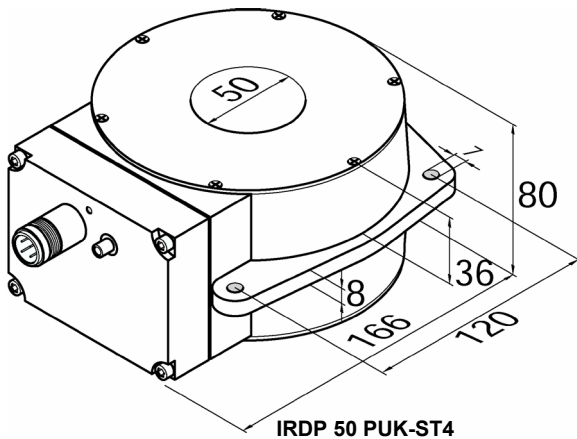


IR(D)P 50...



Type	IRP 50 NUK-ST4	IRP 50 PUK-ST4	IRDP 50 PUK-ST4	IRDP 50 F PUK-ST4
Technical data				
Switching characteristic	Static - NPN (antivalent)	Static - PNP (antivalent)	Dynamic - PNP (antivalent)	Dynamic - PNP (antivalent)
Operating voltage	10...30 VDC		20...30 VDC	
No load current	15 mA		25 mA	
Max. load current	200 mA		50 mA	
Residual current	<10µA		<50µA	
Max. switching frequency	500 Hz		100 Hz	
Switching status display	LED			
Operating conditions				
Sensitivity (adjustable)	Steel ball 3,0 mm		Steel ball 0,6 mm	Steel ball 1,0 mm
Operating temperature	-25 °C...70 °C			
Protection class	IP54			
Housing	Aluminium			
Connection	Male connector M12, 4-pin			

The informations are provided to best of our knowledge. Subject to change. These products must not applied when the safety of persons rely on their faultless function. Dietz Sensortechnik refuses the liability for consequential loss resulting from the application of sensors from Dietz.